

4

3

2

1

NOTES UNLESS OTHERWISE SPECIFIED:

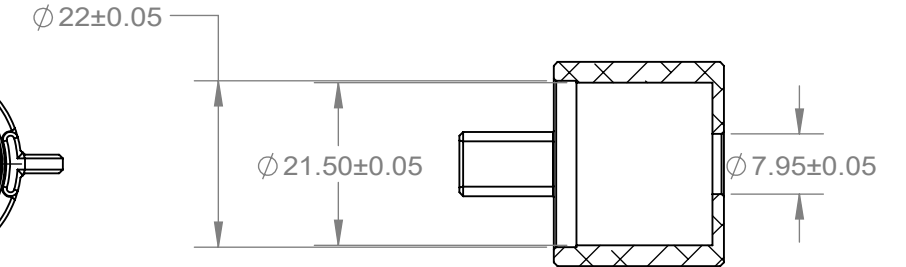
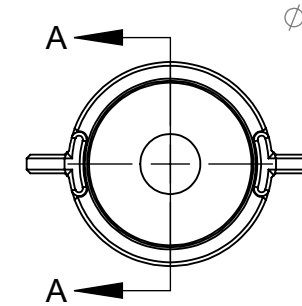
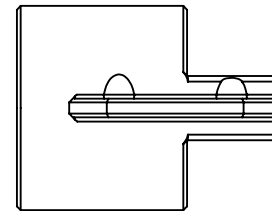
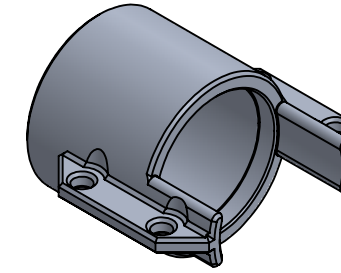
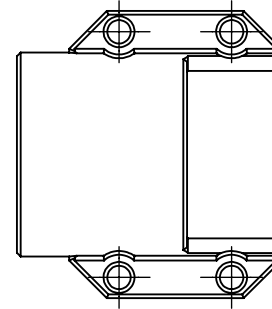
- 1. APPLICABLE STANDARDS/SPECIFICATIONS: ASME Y14.3-2008, ASME Y14.5-2009, ASME Y14.38
- 2. ALL DIMENSIONS ARE IN MILLIMETERS.
- 3. MATERIAL: SEE TITLE BLOCK
- 4. DIMENSIONAL TOLERANCES APPLY UNLESS OTHERWISE SPECIFIED.
- 5. CRITICAL DIMENSIONS SHALL BE INDICATED WITH SPECIFIC TOLERANCES AND/OR GD&T.
- 6. REMOVE ALL BURRS AND SHARP EDGES.
- 7. BREAK ALL EDGES 0.1-0.3mm UNLESS OTHERWISE SPECIFIED.
- 8. SURFACE FINISH: RA 3.2µm UNLESS OTHERWISE SPECIFIED.
- 9. THREADS ISO METRIC STANDARD UNLESS OTHERWISE SPECIFIED.
- 10. FINISH: SEE TITLE BLOCK
- 11. FINISH THICKNESS MAY AFFECT CRITICAL DIMENSIONS; SUPPLIER TO CONSIDER IN MANUFACTURING
- 12. DO NOT SCALE DRAWING USE DIMENSIONS ONLY.
- 13. CERTIFICATE OF COMPLIANCE REQUIRED, INCLUDING MATERIAL CERTIFICATION.
- 14. PART/COMPONENT TO BE ROHS COMPLIANT.
- 15. THIS DRAWING IS FOR QUOTATION PURPOSES ONLY. FINAL REQUIREMENTS MAY BE SUBJECT TO CHANGE.
- 16. SOLIDWORKS DRAWING: ALL CHANGES MUST BE DONE IN SOLIDWORKS DATABASE.

GENERAL DIMENSIONAL TOLERANCES UNLESS OTHERWISE SPECIFIED

0-10 mm	±0.05 mm
10-50 mm	±0.10 mm
50-100 mm	±0.15 mm
100-200 mm	±0.20 mm
>200 mm	±0.30 mm
ANGLES	±0.5°

REVISION HISTORY

ZONE	REV	DESCRIPTION	DATE	APPROVED
	A	INITIAL RELEASE	07/04/2026	ARI GARCIA



SECCIÓN A-A

APPROVALS		DATE	PART NAME:	
DRAWN BY - AMGM		07-04-2026	COPLÉ_MARIPOSA_LAMPARA	
CHECKED BY - AMGM		07-04-2026	PART NUMBER:	
APPROVED BY - AMGM		07-04-2026	MATERIAL	
THIRD ANGLE PROJECTION		UNITS: mm	ALUMINUM [6061-T6] UNLESS OTHERWISE SPECIFIED.	
TOLERANCES:		FINISH	SIZE	DWG NO
SEE GENERAL DIMENSIONAL TOLERANCES TABLE		POWDER COATED- SUPPLIER QUOTE (COLOR WHITE)	B	
DO NOT SCALE DWG		SCALE 1:1	WEIGHT: KG	SHEET 1 OF 1
				REV A

4

3

2

1

B

B

A

A